

Torque Transducer Type DRFSK with hexagonal drive

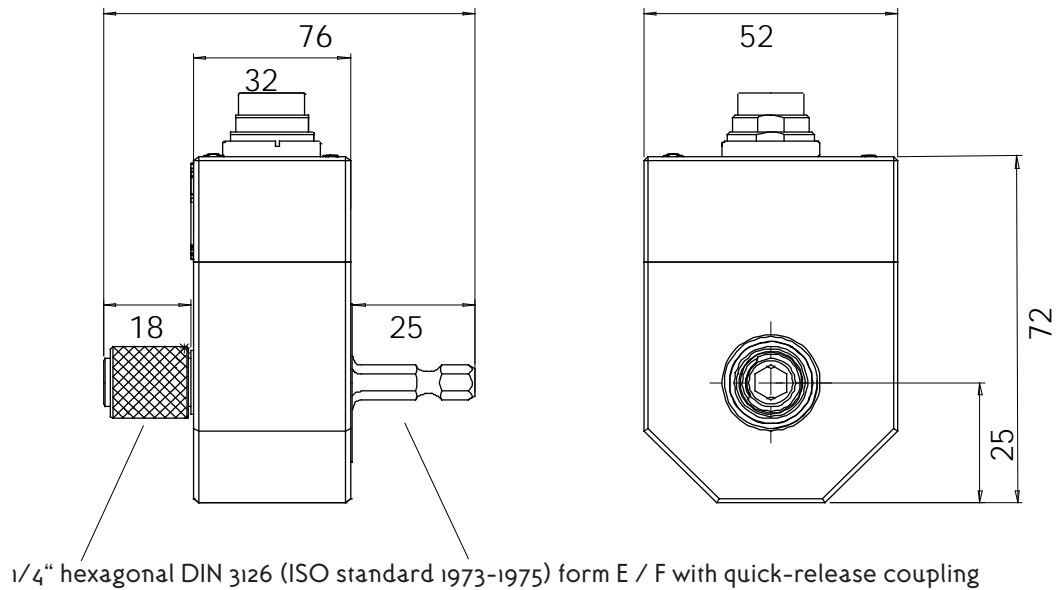


**for automobile manufacturing, test bench and assembly applications,
suitable for pulsed tools**

It distinguishes with the following special features:

- No service needed because of contact-less data acquisition
- Frequency modulation and strain gauge principle cause high accuracy
- Ordinary power supply
- High interference rejection because of amplified active signal
- Quick-release coupling
- Short form, especially suitable for automatic screwing machines
- Measurement, adjustment and examination without removing the screwing tool
- Suitable for permanent use (even with higher speed)
- Suitable for clockwise and counter-clockwise measurement

Mechanical Dimensions:



Technical Specifications:

Measurement Range:	2; 5; 10; 12; 15; 20 Nm
Supply Voltage:	12 V DC $\pm 10\%$
Current Consumption:	approx. 200mA
Rise Time 10-90%:	1 ms (1kHz) optional 2ms (2kHz)
Voltage Output:	0 - ± 5 V
Internal Resistance:	100 Ω
Ripple:	< 100mVss
Nonlinearity:	< 0,15%
Hysteresis:	< 0,1%
Operating Temperature:	0-60°C
Compensated Temperature Range:	5-45°C

Control	
Input	5-12 V
Output	+ 5 V
To examine the measuring sequence	
Temperature Fault	
Zero Point:	0,02 %/K
Sensitivity:	0,01 %/K
Mechanical Overload:	2 Nm -5 Nm 100 %; 10 Nm 80 %; 12 Nm -20 Nm 30 %
Rev. max.:	10 000 1/min
Weight:	approx. 280 gr.
Connection:	12 Pin Fitted Connector

Measurement Range [Nm]	Spring Constant C [Nm/rad]	Mass Moment of Inertia J [g x cm ²]	Maximum Permissible Axial Load [N]	Maximum Permissible Radial Load [N]
2	372	61	21	21
5	981	61	53	53
10	1632	61	104	104
12	1735	61	115	115
15	1735	61	115	115
20	1735	61	115	115

Ordering Example: DRFSK20-1/4"-A

Torque transducer measurement range 20Nm (please quote options varying from standard!)

Available Accessories: Measuring cable, supply and display unit