

# Torque Transducer Type DRW-K for static Application



## Special features:

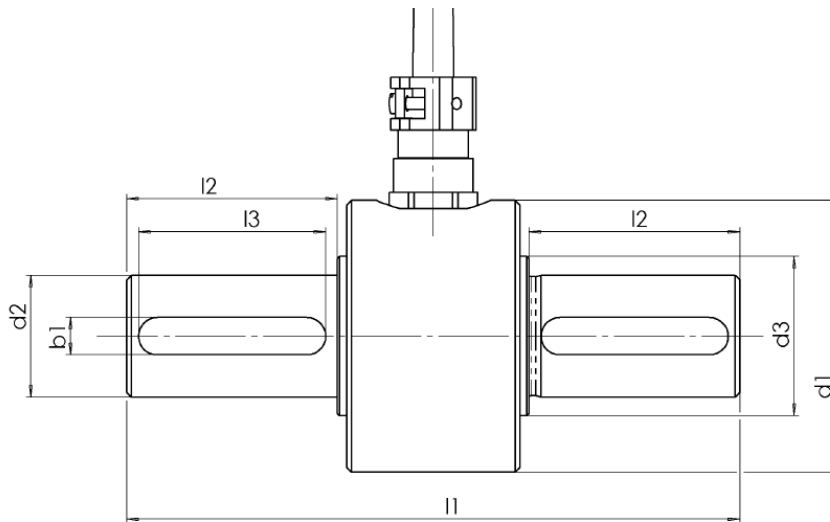
- no maintenance needed
- wide application range
- integrated 100% control
- small outline

## Description:

The DRW-K transducer series is suitable for applications in laboratory as well as in industrial environment because of compact outline.

This torque transducers are free of moving parts because its low-maintenance and wear resistance.

## Mechanical dimensions:



Measurement Range:	l <sub>1</sub>	l <sub>2</sub>	l <sub>3</sub>	d <sub>1</sub>	d <sub>2</sub>	d <sub>3</sub>	b <sub>1</sub>
0, 5, 1 Nm	47	10	--	24	8	12	--
2, 5, 10 Nm	58	12	8	38	12	18	4
15Nm, 20Nm	74	20	16	38	12	18	4
50Nm	104	35	28	50	18	26	6
100,200 Nm	131	45	40	58	26	34	8
500, 1000 Nm	168	60	--	77	45	58	--
2, 3 ,4 ,5 kNm	264	110	---	98	70	---	---
10, 15, 20 kNm	285	115	---	138	110	---	---

## Technical Data:

Supply Voltage:	12V DC max.
Current Consumption:	35 mA max.
Characteristic sensitivity:	1 mV/V (±0,25%)
Nonlinearity:	<0,1 %
Hysteresis:	<0,1 %
Internal Resistance:	350 Ω nominal
Compensated Temp. Range:	5-45°C
Operating Temperature:	0-60°C
Temperature fault	
Zero Point:	0,02 % / K
Sensitivity:	0,01 % / K
Mechanical Overload:	100%
Connection:	6 Pin Coupling Connector
Cable length:	2,5 m
Protection:	IP 40 conform to DIN 40050

## Ordering Example: DRW-K-10

Torque transducer active Measuring Range 10 Nm

Available Accessories: Connectors, measuring cable, supply and display unit

ETH messtechnik gmbh Hagstrasse 10 D-74417 Gschwend Tel.: +49(0)7972-9310-0 Fax: -50 www.eth-messtechnik.de info@eth-messtechnik.de

Technical changes reserved